

# AN-307

## Perimeter Protection System Wire Fence Vibration Detector

AN-307 is a **two channel wire fence vibration detector** to protect up to **600m (2x 300m)** of wire fence with up to 350m of SK special sensor cable per each channel in case someone wants to pass or break into the restricted area. **AN-307COM** is a vibration detector with RS-485 option.

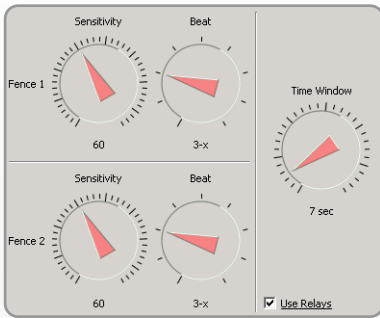
The new **DSIGP® technology** makes this product unique. The alarm is triggered by vibrations of the wire fence but **successfully eliminates: EMF (Electric and Magnetic Fields), normal wind, rain and other weather conditions, animal, vegetation and other disturbances.**

The **newest Wind/Temperature Sensor**, an add-on for AN-306 and AN-307 makes AN Detectors the precise Perimeter Protection System with **lowest level of false alarms** with **dynamic sensitivity adjustment** in case of **very windy weather** and **significant drop of temperature.**

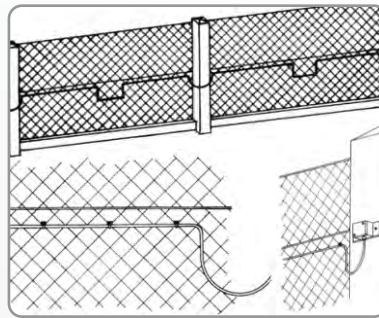


### Features

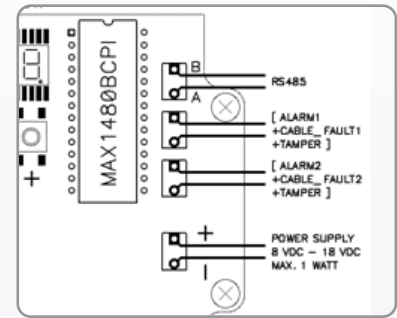
- 2 channels with up to 2x 300m of perimeter protection
- New **DSIGP® technology**, **NEW Wind/Temp Sensor add-on**
- **Protection for Lightnings** and other electrical disturbances
- 3D adjustments: **Dynamic Sensitivity**, No. of **Beats** and **Time**
- **RS-485 to RS-232, TCP/IP or USB** communication
- **Easy to install** and **simple to use**
- **Low Power Consumption** (save up to 40%)
- Software for PC monitoring and precision settings



Sensitivity, Beats and Time adjustments



Special sensor cable wiring example

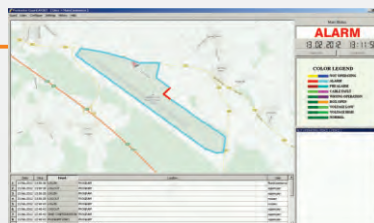


RS-485 connection example

### Technical Specification

<b>Master unit housing:</b>	Aluminum waterproof (IP65)
Weight	970 g
Dimensions	175 x 80 x 60 mm
<b>End unit housing:</b>	Aluminum waterproof (IP65)
Weight	140 g
Dimensions	50 x 45 x 30 mm
<b>Working temperature:</b>	From -30°C to +70°C
<b>Technology:</b>	New unique DSIGP®
<b>Power supply:</b>	8.0 VDC to 18.0 VDC
<b>Power consumption:</b>	Less than 1 W
<b>Relays:</b>	3 relays, NC (2 if RS-485 is used)

### PC Software



### Accessories



**SK-300/350/1000**  
Special sensor cable



**Tie wraps**  
UV resistant



**Wind & Temp**  
Sensor



**K-307 Converters**  
RS485 - RS232  
TCP/IP, USB



**AC-300**  
Junction box



**RM-307**  
extending the  
RS-485 signal



**GSM Alarm System & Communicator**  
Cinterion Quad  
GSM module

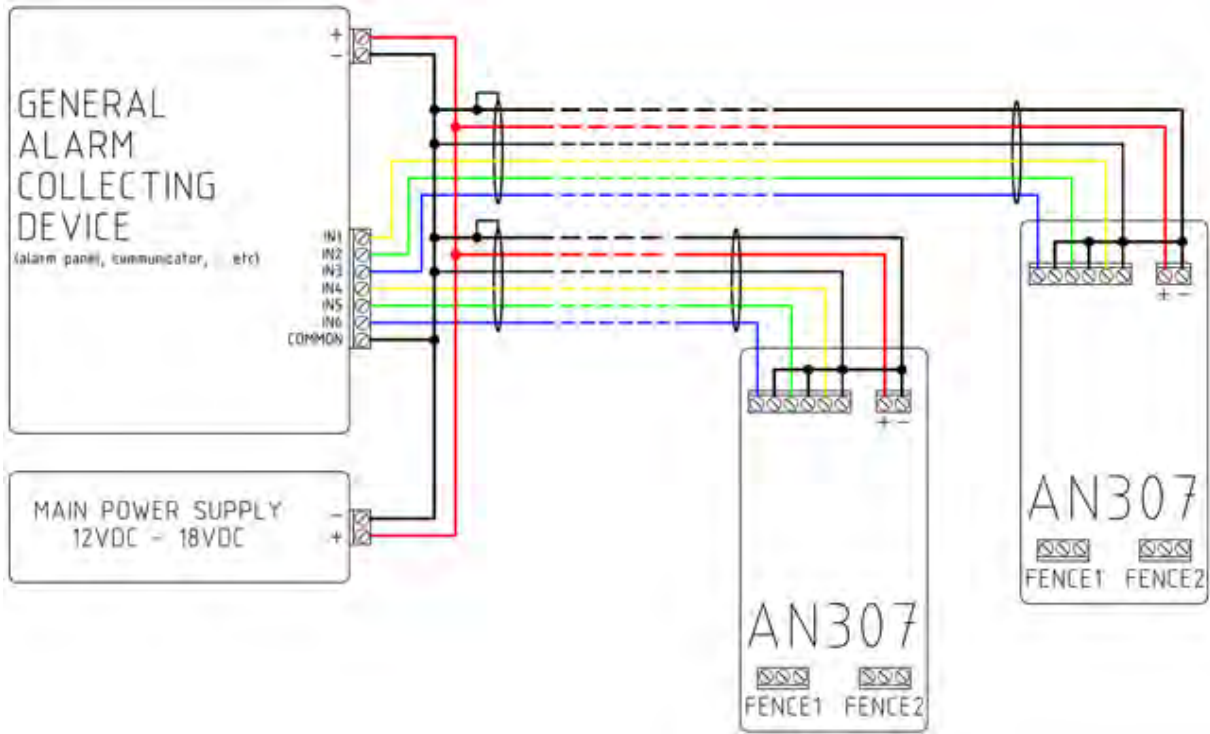


**JVC VN-V686WPBU**  
Fast 360° Direct Drive  
27/36x Zoom  
Motion detection  
IP CCTV camera



**IBM/HP Servers**  
with professional  
CCTV Software

**AN-307 to Control panel**



**AN-307COM with RS-485 to TCP/IP or USB or RS-232**

